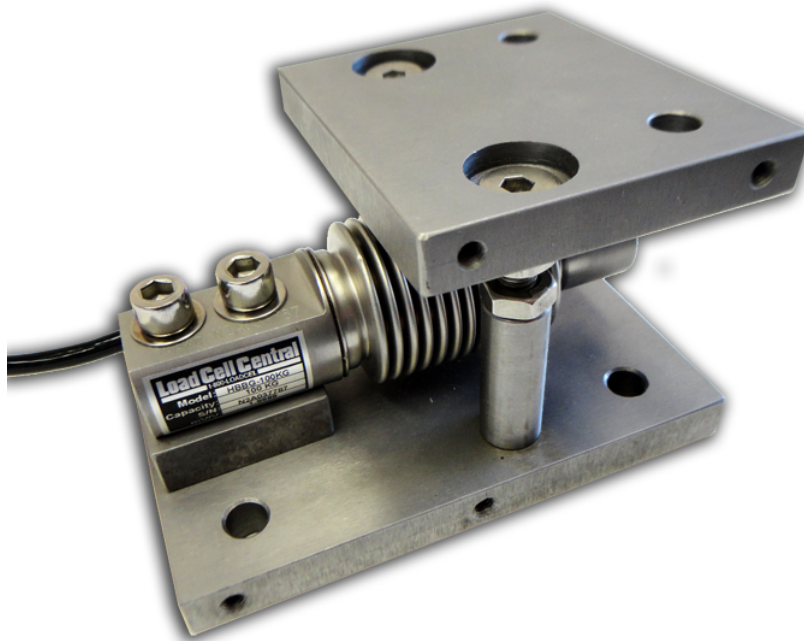


## Duramount 31



### Short description

- Self aligning construction
- Easy load cell access
- Stainless steel
- Lift-off protection
- Used with Load Cell model: HBBG

### Available models

Model	Capacity	Part number
Duramount 31	5 – 200kg	DM-31-5kg/200kg
	350 – 500kg	DM-31-350kg/500kg

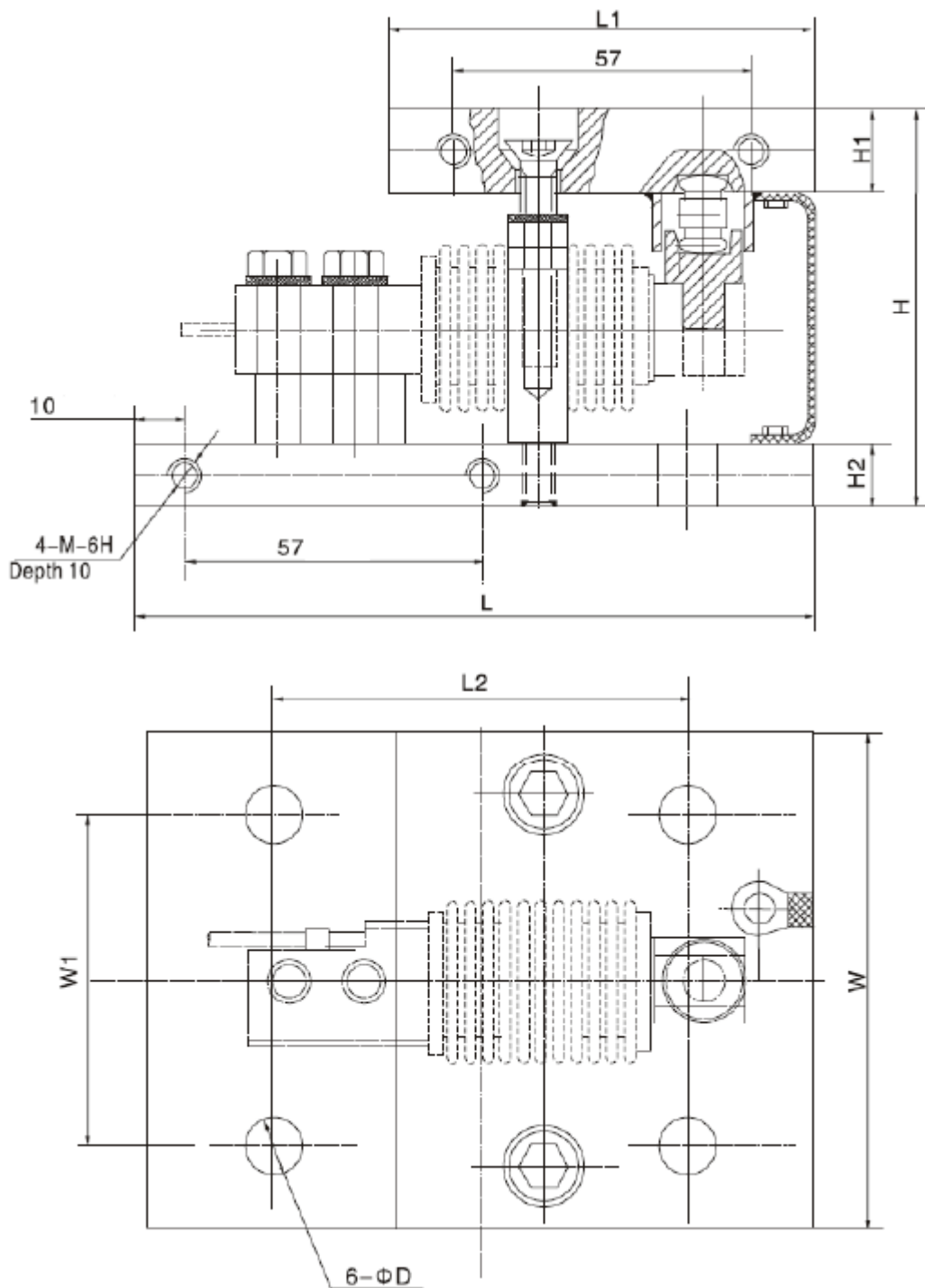
### Detailed specifications

Capacity	5 – 200 kg	350 – 500kg
Maximum vertical force (down)	1,000 kg	3000 kg
Maximum vertical force (up)	500 kg	1,000 kg
Maximum horizontal force	500 kg	1,500 kg
Maximum horizontal movement	+1 / -1 mm	+1 / -1 mm

Load Cell Central follows a policy of continuous improvement and reserves the right to change specifications without notice. © 2015

# Duramount 31

Dimensions in mm



Dimension (mm) Capacity	H	H1	H2	L	L1	L2	W	W1	ØD	M
5 – 200kg	77	12	12	130	75	95	90	60	9	M5
350 – 500kg	90	20	15	160	100	100	120	80	14	M8

Nr. 2014.01 Rev1

Load Cell Central follows a policy of continuous improvement and reserves the right to change specifications without notice. © 2015

**Load Cell Central**  
28175 Route 220  
Milan, PA 18831

Web: [www.800loadcel.com](http://www.800loadcel.com)  
Email: [sales@800loadcel.com](mailto:sales@800loadcel.com)

**Toll Free: 1-800-562-3235**  
Ph: 1-570-731-7048  
Fax: 1-570-731-7054