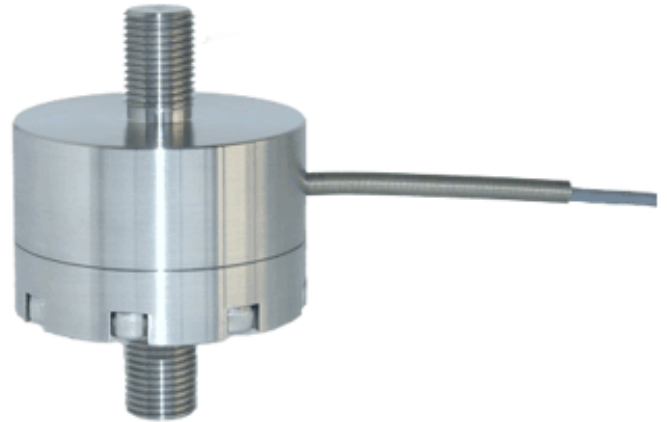
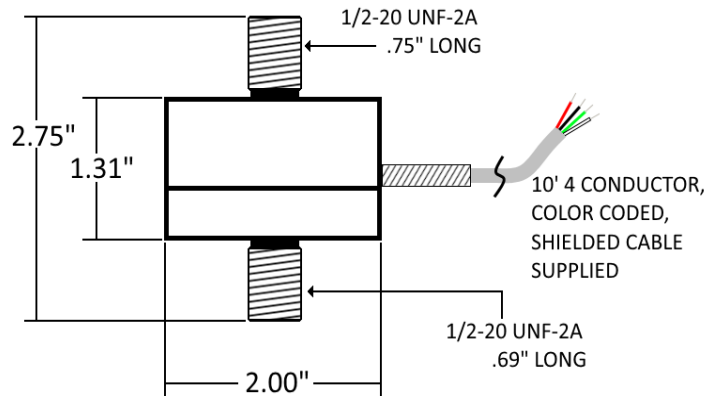


HTC

Dual Stud Mount Tension/Compression Load Cell



The HTC Dual Stud Mount load cells are supplied with a stud at each end for easy in-line mounting in ranges from 50 Lbs. through 10,000 Lbs. These load cells are highly accurate and manufactured from heat treated 17-4ph stainless steel. The sensing element incorporates bonded foil strain gages of the highest quality, and are sealed for protection against most industrial environments. They are supplied with a Certificate of Calibration traceable to N.I.S.T.



Standard Capacities: 50, 100, 200, 500, 1K, 2K, 2.5K, 5K, 8K, 10K Lbs.

Output: 2mV/V nominal
Nonlinearity: 0.15% of F.S.
Non-Repeatability: 0.05% of F.S.
Hysteresis: 0.15% of F.S.
Thermal Sensitivity Shift: 0.005% of Load/°F
Thermal Zero Shift: 0.005% of F.S. /°F
Terminal Resistance: 350 ohms

Zero Balance: $\pm 1\%$ of F.S.
Recommended Excitation: 10V
Deflection: 0.002" @ F.S.
Safe Overload: 150% of F.S.
Comp.Temp. Range: 60°F to 160°F
Operating Temp. Range: -65°F to 200°F

Load Cell Central follows a policy of continuous improvement and reserves the right to change specifications without notice. © 2018

Load Cell Central
28175 Rte. 220
Milan, PA 18831

Web: www.800loadcel.com
Email: sales@800loadcel.com

Toll Free: 1-800-562-3235
Phone: 1-570-731-7048
Fax: 1-570-731-7054